

**NO COUPONS!
NO REBATES!**

Just The
LOWEST Prices!

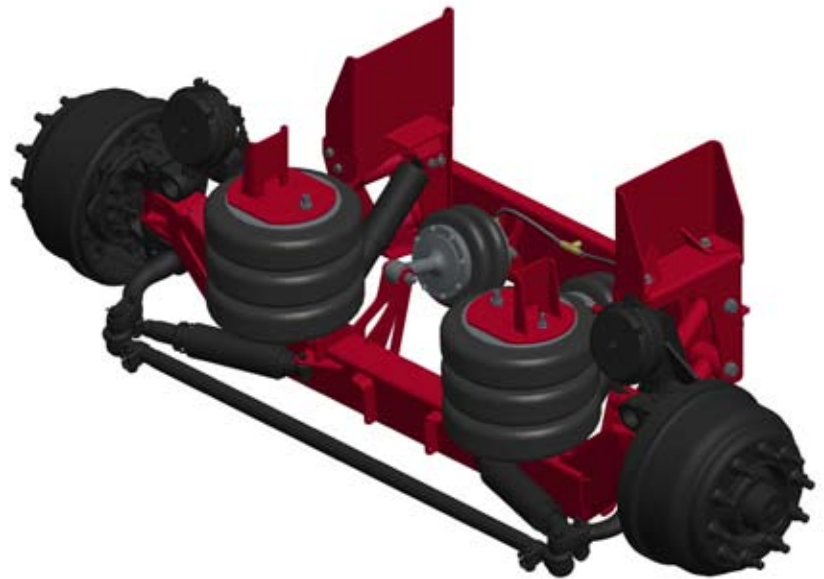
LINK

DuraLift II Self-Steer Lift Suspensions

13,200 Lbs. Capacity

Integrated Air
\$4,999^{99*}
Only **\$1,199** to install*

W/O Integrated Air
\$4,699^{99*}
Only **\$1,399** to install*



Part # 8A000715

*While supplies last. Prices good on 13.2K capacity LINK brand lift axles only. Installation price applies to most applications, if special installation is required, you will be given a special installation quote.

Rocky Point, NC
888-494-6336

Warsaw, NC
800-927-0258

Wilmington, NC
800-487-4694

Charleston, SC
800-892-9825

Florence, SC
866-413-0801

Parts Only

www.wemeantrucks.com